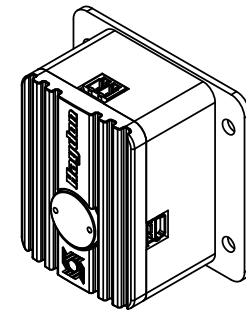
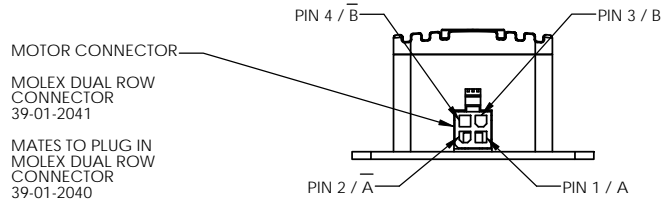
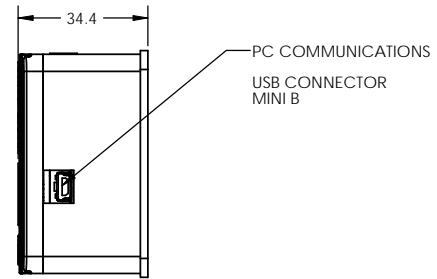
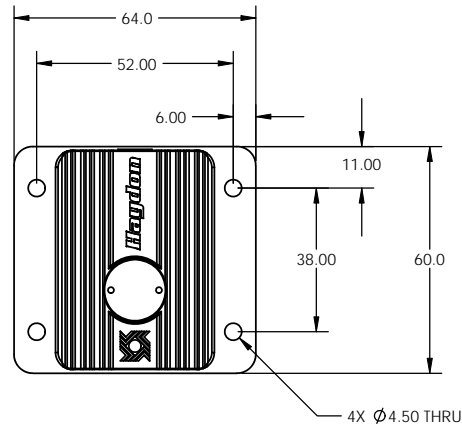
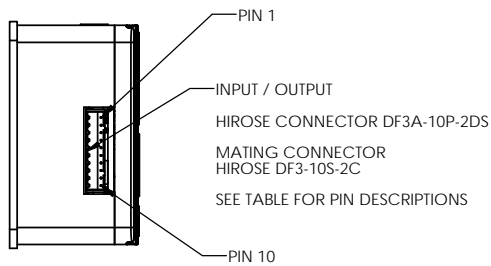
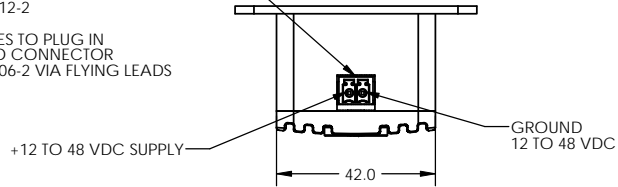


PCM4826

REVISIONS			
REV.	DESCRIPTION	DATE	ECO NO.
00	PRELIMINARY DRAWING	11/13/09	

INPUT SUPPLY
TYCO CONNECTOR
284512-2
MATES TO PLUG IN
TYCO CONNECTOR
284506-2 VIA FLYING LEADS



PIN POSITION	DESCRIPTION	NOTES
PIN 1	GROUND I/O SUPPLY	5 TO 24 VDC
PIN 2	+ I/O SUPPLY	5 TO 24 VDC
PIN 3	INPUT 1	
PIN 4	INPUT 2	
PIN 5	INPUT 3	
PIN 6	INPUT 4	
PIN 7	OUTPUT 1	
PIN 8	OUTPUT 2	
PIN 9	OUTPUT 3	
PIN 10	OUTPUT 4	

<p>STANDARD BLOCK TOLERANCES: UNLESS OTHERWISE SPECIFIED:</p> <table border="1"> <thead> <tr> <th></th> <th>INCH</th> <th>MM</th> </tr> </thead> <tbody> <tr> <td>DECIMALS: X</td> <td>±.020</td> <td>±0.51</td> </tr> <tr> <td>DECIMALS: X.X</td> <td>±.015</td> <td>±0.38</td> </tr> <tr> <td>DECIMALS: X.XX</td> <td>±.010</td> <td>±0.25</td> </tr> <tr> <td>DECIMALS: X.XXX</td> <td>±.005</td> <td>±0.13</td> </tr> <tr> <td>DECIMALS: X.XXXX</td> <td>±.0005</td> <td>±0.013</td> </tr> </tbody> </table> <p>PROPRIETARY NOTICE THIS DOCUMENT CONTAINS CONFIDENTIAL AND TRADE SECRET INFORMATION AND IS PRESENTED TO THE RECIPIENT IN CONFIDENCE. THE RECIPIENT BY ACCEPTING AND DISTRIBUTION OF THIS DOCUMENT ACCEPTS THIS DOCUMENT IN CONFIDENCE AND AGREES THAT ANY REPRODUCTION IN WHOLE OR IN PART OR DISCLOSURE OF ITS CONTENTS OR ANY PORTION OF THIS DOCUMENT OR THE CONFIDENTIAL OR TRADE SECRET INFORMATION THEREIN, IN ANY FORM OR BY ANY MEANS, WITHOUT THE WRITTEN PERMISSION OF HAYDON KERK MOTION SOLUTIONS, IS STRICTLY PROHIBITED. THIS DOCUMENT IS THE PROPERTY OF HAYDON KERK MOTION SOLUTIONS AND IS TO BE RETURNED TO HAYDON KERK MOTION SOLUTIONS UPON REQUEST. ALL COPIES OF THIS DOCUMENT, INCLUDING ANY REPRODUCTION, SHALL BE DESTROYED UPON REQUEST. HAYDON KERK MOTION SOLUTIONS, 1200 McIDAS Road, Waterbury, CT 06700. © 2009 HAYDON KERK MOTION SOLUTIONS. ALL RIGHTS RESERVED.</p>		INCH	MM	DECIMALS: X	±.020	±0.51	DECIMALS: X.X	±.015	±0.38	DECIMALS: X.XX	±.010	±0.25	DECIMALS: X.XXX	±.005	±0.13	DECIMALS: X.XXXX	±.0005	±0.013	<p>MATERIAL:</p> <p>FINISH:</p> <p>HEAT TREAT SPEC:</p> <p>THE FOLLOWING CODES APPLY UNLESS OTHERWISE SPECIFIED: FOR FINISHES OF THE SUBJECT DIMENSIONS NOT SPECIFIED AT HAYDON KERK MOTION SOLUTIONS, FINISHES TO BE SPECIFIED BY THE USER SHALL BE SPECIFIED AT HAYDON KERK MOTION SOLUTIONS. OTHER CODES OF THE TOLERANCES AND RELATED OUTLINE APPLICABLE SHALL BE SPECIFICALLY INDICATED BY THE USER.</p> <p>GEOMETRIC DRAWING SYMBOLS</p> <p>FLAT / RADIUS / ROUND / ANGULAR / STRAIGHT / TRUE POSITION / CYLINDRICAL / CONCENTRIC / SQUARE / PARALLEL / SYMMETRICAL / BORE / HOLE / PROFILE OF A SURFACE / PROFILE OF A LINE / MAXIMUM MATERIAL CONDITION (MMC) / PROJECTED TOLERANCE ZONE</p>
	INCH	MM																	
DECIMALS: X	±.020	±0.51																	
DECIMALS: X.X	±.015	±0.38																	
DECIMALS: X.XX	±.010	±0.25																	
DECIMALS: X.XXX	±.005	±0.13																	
DECIMALS: X.XXXX	±.0005	±0.013																	

<p>HAYDON KERK MOTION SOLUTIONS 1200 McIDAS Road, Waterbury, CT 06700 Phone: 203-756-7441, Fax: 203-756-8724 1 Kerk Drive, Hollis, NH 03049 Phone: 603-465-7227, Fax: 603-465-3598</p>	<p>Haydon kerk Motion Solutions</p>
<p>TITLE IDEA DRIVE PCM4826 STAND ALONE ASSEMBLY</p>	<p>CODE IDENT. NO. 02005</p> <p>DWG. SIZE C</p> <p>SCALE: NONE</p>
<p>DRAWN BY JFN</p> <p>DATE 11/14/09</p> <p>ALL SIGNATURES REQUIRED FOR APPROVAL AND ORIGINAL DRAWINGS MANIFEST ARE CONTROLLED ELECTRONICALLY.</p>	<p>DWG. NO. PCM4826</p> <p>SUBSEQUENT SHEETS USED FOR INTERNAL USE ONLY</p>
<p>THIRD ANGLE PROJECTION</p>	<p>SHT 1 OF 1</p>